

LUG TYPE BUTTERFLY VALVE

SPECIFICATION

FOR BS EN 1092-2 (BS4504) PN10 / PN16 FLANGE MOUNTING
FACE-TO-FACE DIMENSION TO ISO 5752 / BS 5155 / BS EN 593
LEVER / WORM GEAR OPERATOR

PRESSURE / TEMPERATURE RATINGS

| | |
|---------------------|---|
| Working Pressure | 16 bar |
| Testing Pressure | Shell: 1.5 times Seat: 1.1 times |
| Working Temperature | -20°C to 110°C (EPDM Seat) -10°C to 80°C (NBR Seat) 5° C to 120° C (PTFE seat) -10° C to 135° C (VITON seat) |
| Suitable Media | Water & Oil |

MATERIALS

| Part | Material | BS / EN * |
|-----------|--|--|
| Body | Stainless Steel 304 Stainless Steel 316 | 10283 GX5CrNi19-10 10283 GX5CrNiMo19-11-2 |
| Disc | Stainless Steel 304 Stainless Steel 316 | 10283 GX5CrNi19-10 10283 GX5CrNiMo19-11-2 |
| Seat Ring | EPDM NBR PTFE VITON | |
| Shaft | Stainless Steel 420 Stainless Steel 431 | 10088-3 X20Cr13 10088-3 X17CrNi16-2 |
| O-Ring | NBR | |
| Bushing | Resin | |

*: Indicates the corresponding equivalent standard material for BS EN.

DIMENSIONS

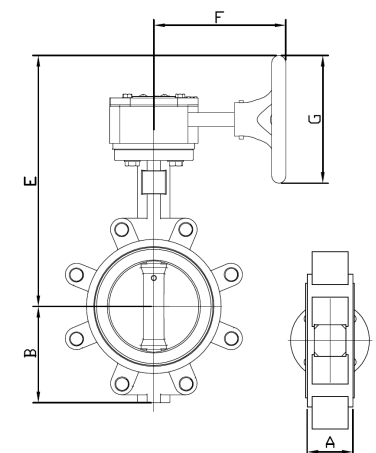
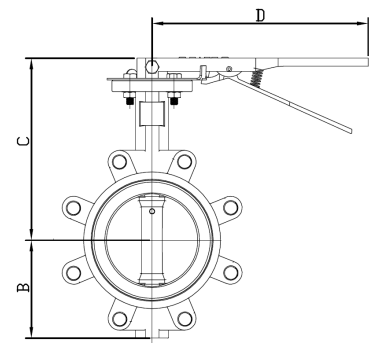
Unit: mm

| Size | A | B | C | D | E | F | G |
|------|----|-----|-----|-----|-----|-----|-----|
| 50 | 43 | 70 | 157 | 248 | 238 | 150 | 145 |
| 65 | 46 | 76 | 167 | 248 | 248 | 150 | 145 |
| 80 | 46 | 93 | 173 | 248 | 254 | 150 | 145 |
| 100 | 52 | 106 | 209 | 248 | 290 | 150 | 145 |
| 125 | 56 | 123 | 219 | 248 | 300 | 150 | 145 |
| 150 | 56 | 139 | 248 | 248 | 329 | 150 | 145 |
| 200 | 60 | 166 | 275 | 375 | 424 | 205 | 280 |
| 250 | 68 | 203 | 322 | 375 | 471 | 205 | 280 |
| 300 | 78 | 238 | 347 | 375 | 496 | 205 | 280 |
| 350 | 78 | 270 | | | 558 | 205 | 280 |

SBFV-LB

PN16

DN50~DN350



LUG TYPE BUTTERFLY VALVE

SPECIFICATION

FOR BS EN 1092-2 (BS4504) PN10 / PN16 FLANGE MOUNTING
FACE-TO-FACE DIMENSION TO ISO 5752 / BS 5155 / BS EN 593
DOUBLE-STAGE WORM GEAR OPERATOR

PRESSURE / TEMPERATURE RATINGS

| | |
|---------------------|---|
| Working Pressure | 16 bar |
| Testing Pressure | Shell: 1.5 times Seat: 1.1 times |
| Working Temperature | -20°C to 110°C (EPDM Seat) -10°C to 80°C (NBR Seat) 5° C to 120° C (PTFE seat) -10° C to 135° C (VITON seat) |
| Suitable Media | Water & Oil |

DIMENSIONS

Unit: mm

| Size | A | B | E | F | G |
|------|-----|-----|-----|-----|-----|
| 400 | 102 | 307 | 676 | 251 | 280 |
| 450 | 114 | 336 | 702 | 251 | 280 |
| 500 | 127 | 373 | 733 | 251 | 280 |
| 600 | 154 | 429 | 877 | 300 | 385 |

Note:

1. Actuator mounting flange conforms to ISO 5211 drilling.
2. The butterfly valve can be supplied with electric actuator.
3. Micro switch / limit switch box are available upon request.
4. Others flange standard available upon request.
5. Design and specifications are subject to change without prior notice

SBFV-LB

PN16

DN400~DN600

